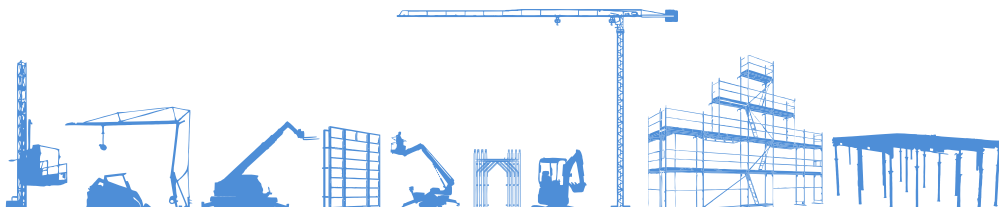


# SCHEDA TECNICA



**NOLEGGIO**  
[www.gruppoemac.it](http://www.gruppoemac.it)



**INSIEME PER DARVI IL MEGLIO**

Non chiedere una macchina,  
scegli un servizio che ti dia valore.

[www.gruppoemac.it](http://www.gruppoemac.it)

# M 450 Transport Platforms

## Twin mast configurations

Technical Data		TPM 3000T	TPM 3000T2	TPM 3000TD	TPM 4000T
<b>Capacity</b>					
Platform length	m	4,8	<b>3,2</b>	1,6	3,2
Platform Width	m	1,6	<b>3,2</b>	3,2	1,6
Max Payload capacity	kg	3000	<b>3000</b>	3000	4000
Number of people		8*	<b>8*</b>	8*	8
Speed	m/min	12	<b>12</b>	12	12
First Anchor position	m	3	<b>3</b>	3	3
Max lifting height tied	m	200	<b>200</b>	200	200
Tie distance	m	8 - 10	<b>8 - 10</b>	8 - 10	8 - 10

\* Depending on local standards

<b>Dimensions and weights</b>					
Lowest transport height	mm	2,2	<b>2,2</b>	2,2	2,2
Height to platform	mm	0,5	<b>0,5</b>	0,5	0,5
1.5m mast section (SQ450x450)	kg	75	<b>75</b>	75	75
Groundframe weight incl outriggers	kg	577	<b>726</b>	538	562
Drive unit weight	kg	1666	<b>1666</b>	1666	1666

<b>Electrical Data Transport Platform</b>					
Rated power	kW	4 x 5,5	<b>4 x 5,5</b>	4 x 5,5	4 x 5,5
Voltage	V / Hz	400	<b>400</b>	400	400
Control Voltage Frequency	Hz	50 - 60	<b>50 - 60</b>	50 - 60	50 - 60
Power supply fuses	A	32	<b>32</b>	32	32
Power Cable	xmm <sup>2</sup>	5 x 6	<b>5 x 6</b>	5 x 6	5 x 6

<b>Electrical Data Material Hoist</b>					
Power supply fuses	A	63	<b>63</b>	63	63
Power Cable	xmm <sup>2</sup>	5x6 + 10x1	<b>5x6 + 10x1</b>	5x6 + 10x1	5x6 + 10x1

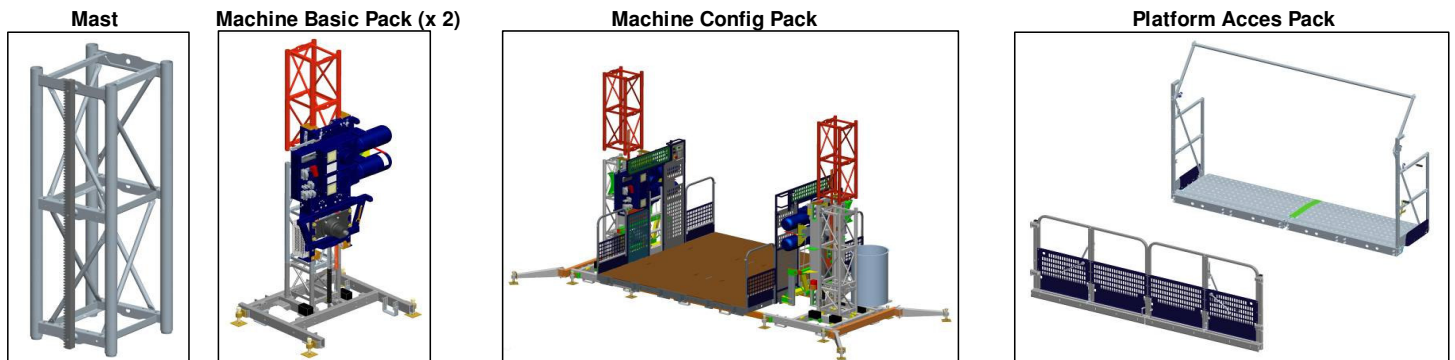
**Optional equipment**  
 Bridges 1.6m or 3.2m, height 0.6 or 1.1  
 Gates 1.6m or 3.2m  
 Self-carrying ramps 1.6m or 3.2m

**Safety equipment**  
 Overload Sensing Device  
 AlimakHek safety device  
 Unique self leveling device  
 PLC, VFC, Encoder  
 Possibility to lower platform at power failure



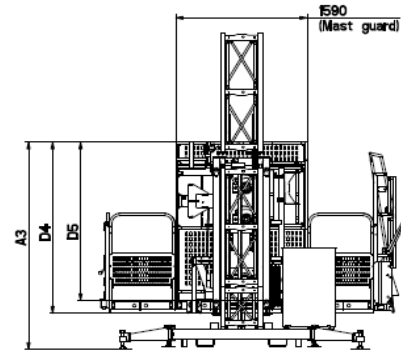
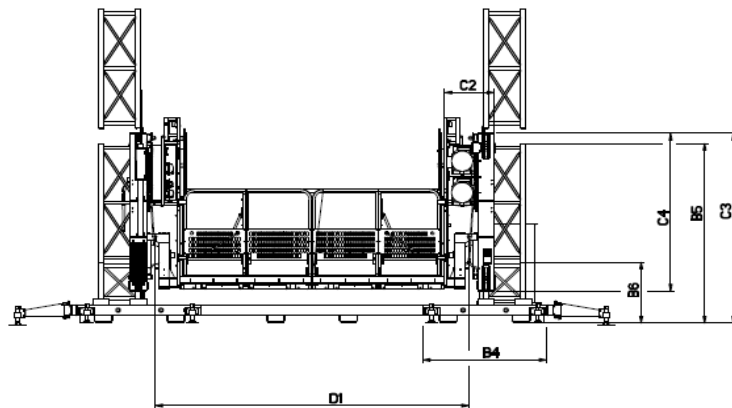
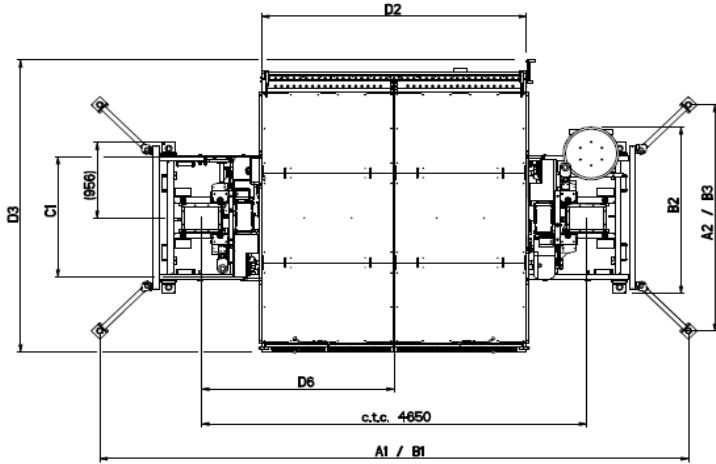
**TPM 3000T2**

**Composing this configuration:**



# M 450 Transport Platforms

## TPM 3000T2



Max. machine length (m)	A1	7.11 (5.98-7.58)	7.26	4.06	5.66
Max. machine width (m)	A2	2.87 (1.74-3.34)	2.16	4.01	2.16
Max. machine height (m)	A3	2.50-2.64	2.50-2.64	2.50-2.64	2.50-2.64
Max. base frame length (m)	B1	7.11 (5.98-7.58)	7.26	4.06	5.66
Base frame length excl. cable storage (m)	B2	2.11	1.91	1.91	1.91
Max. base frame width (m)	B3	2.87 (1.74-3.34)	2.10	2.11	2.11
Max. base frame width excl. extension (m)	B4	1.50	1.50	1.50	1.50
Max. base frame height incl. 1 mast (m)	B5	2.29-2.33	2.29-2.33	2.29-2.33	2.29-2.33
Base frame height incl. base mast (m)	B6	0.78-0.82	0.78-0.82	0.78-0.82	0.78-0.82
Max. DU length (m)	C1	1.52	1.52	1.52	1.52
Max DU width incl. gear (m)	C2	0.6	0.6	0.6	0.6
Max. DU height - incl. base frame (m)	C3	2.31-2.45	2.31-2.45	2.31-2.45	2.31-2.45
Max. DU height (m)	C4	2.01	2.01	2.01	2.01
Max. platform length incl. PA (m)	D1	3.79	5.39	2.19	3.79
Platform length (m)	D2	3.2	4.8	1.6	3.2
Maximum platform width incl. PA, adaptor, fence (m)	D3	3.72	2.12	4.01	2.16
Maximum platform height incl. PA, adaptor, fence (m)	D4	2.18	2.18	2.18	2.18
Maximum platform width incl. PA, adaptor, fence (m)	D5	2.01	2.01	2.01	2.01
Center to center (m)	D6	2.325	3.125	1.525	2.325