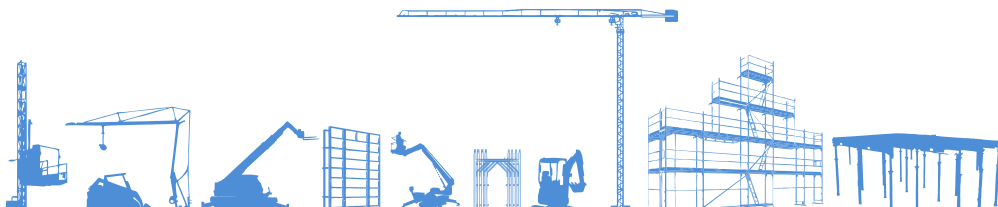


# SCHEMA TECNICA



**NOLEGGIO**  
[www.gruppoemac.it](http://www.gruppoemac.it)

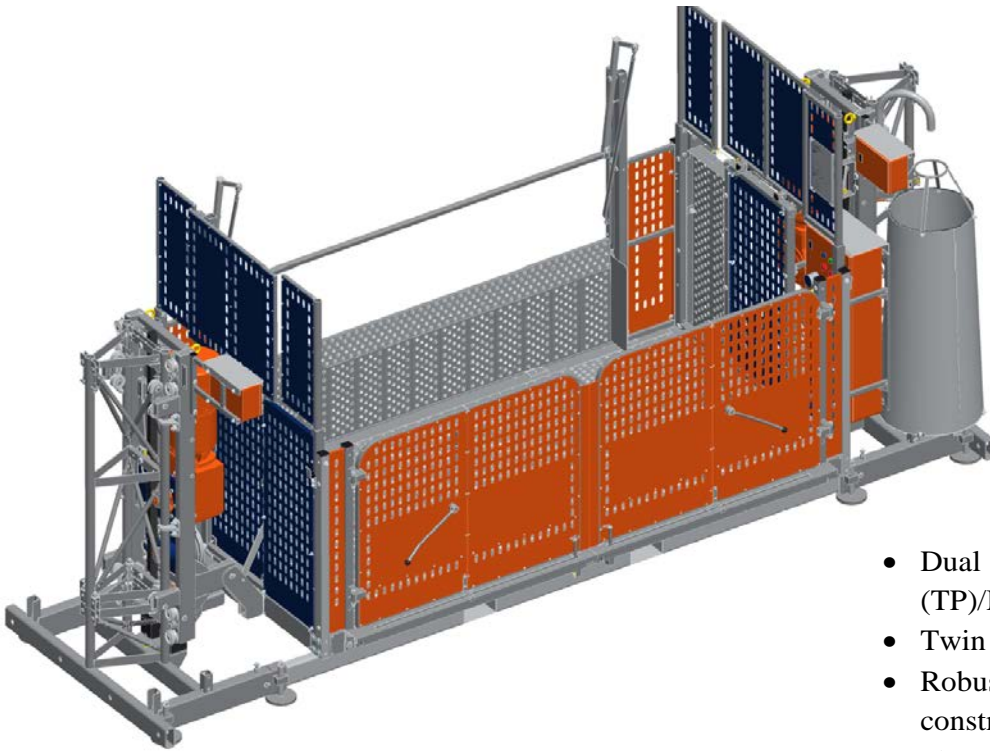


**INSIEME PER DARVI IL MEGLIO**

Non chiedere una macchina,  
scegli un servizio che ti dia valore.

[www.gruppoemac.it](http://www.gruppoemac.it)

# TPL 2000



- Dual function: Transport Platform (TP)/Material Hoist (MH)
- Twin mast
- Robust design for max endurance in construction and refurbishment jobsite
- Simple and Reliable design
- Triangular mast design, with integrated bolts for the fastest erection and dismantling
- Safety Device
- Overload protection device
- Erection Ramps

## TECHNICAL SPECIFICATIONS

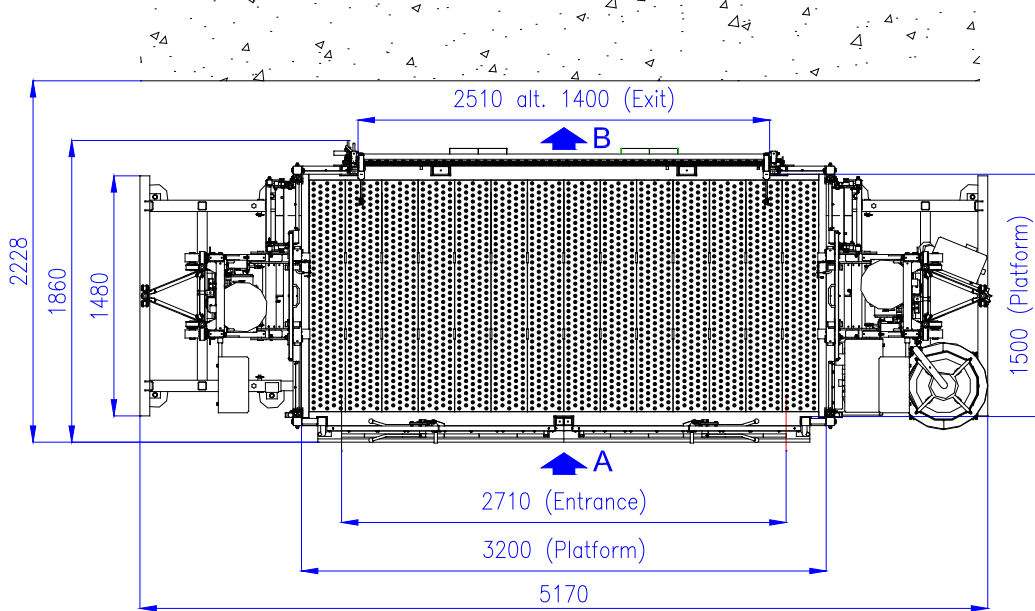
### TPL 2000

Payload capacity (kg)		2000
Number of persons max (included on payload)	TP mode	7
Number of persons –	MH mode	0
Lifting speed (m/min)	TP Mode	12
Lifting speed (m/min)	MH mode	24
Platform dimensions [W x L]		3.2 x 1.5
Max Lifting height (tied)		100* m
Max Tie distance (m)		7.5
Max Overhang (m)		4.5
Max 1 <sup>st</sup> Tie Height (m)		6
Power supply		400 V - 50 Hz. 3Ph
Rated Power (kW)		2 x 3.8 (TP) / 2 x 7.6 (MH)
Rated current (A)		15.4 (TP) / 30.4 (MH)
Power consumption (kVA)		10.8 (TP) / 21.0 (MH)
Type of mast		Triangular 350, tubular steel with integrated bolts

\* Increased lifting height on request.

# TPL 2000

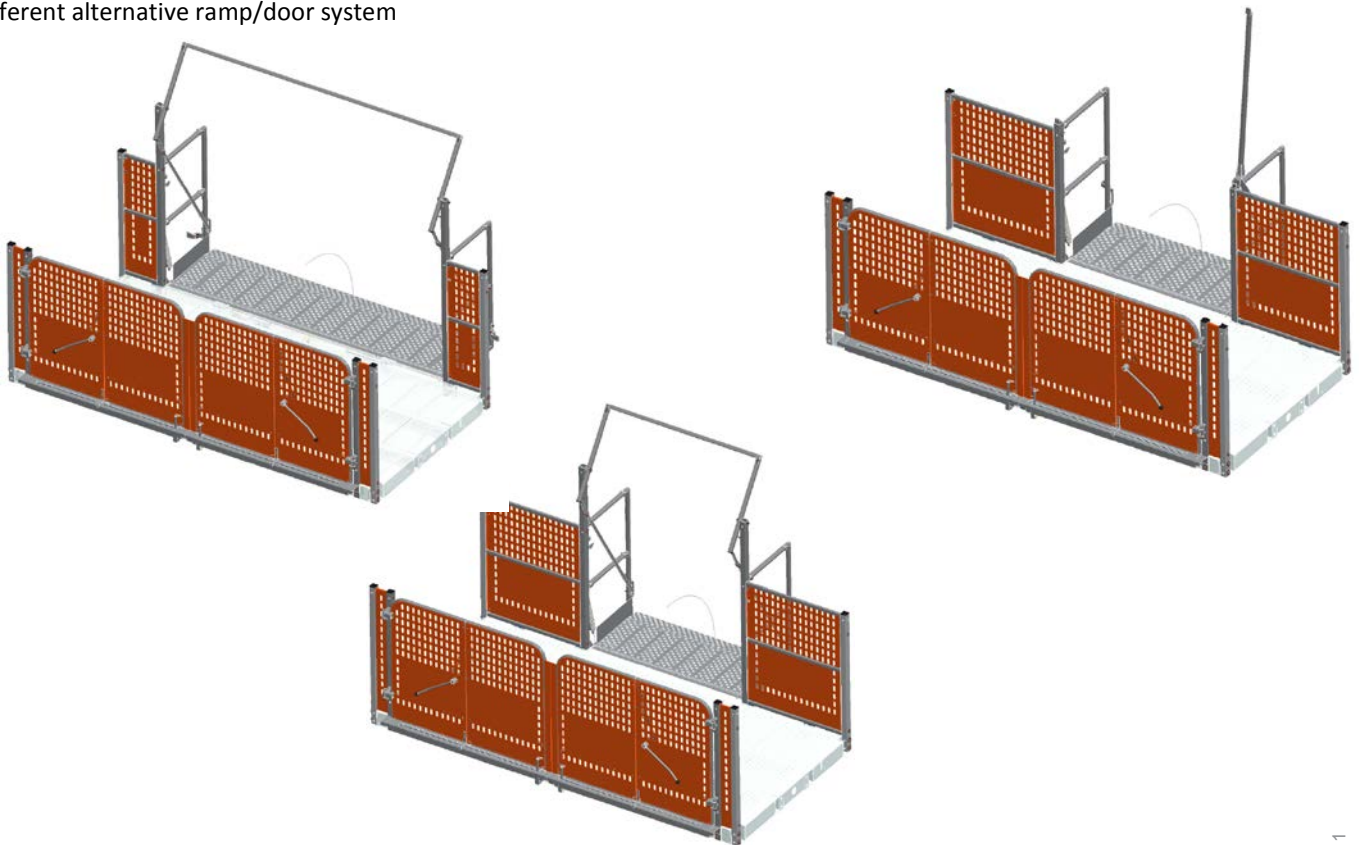
## Main dimension



### Weights (kg)

Base Unit	1900
Mast	50
Tie In	42
Cable Guide	4

## Different alternative ramp/door system



[www.alimakhek.com](http://www.alimakhek.com)

Alimak Hek S.r.l. is ISO 9001 certified.



Pictures are illustrative only and do not necessarily show the configuration of products on the market at a given point in time. Products must be used in conformity with safe practice and applicable statutes, regulations, codes and ordinances. Specifications of products and equipment shown herein are subject to change without notice. Copyright © 2010 Alimak Hek Group AB. All rights reserved. Alimak Hek, Alimak and Scando are registered trademarks of Alimak Hek Group AB.